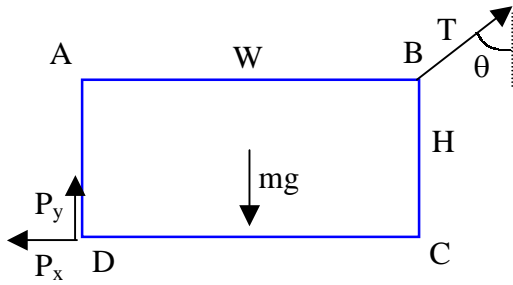


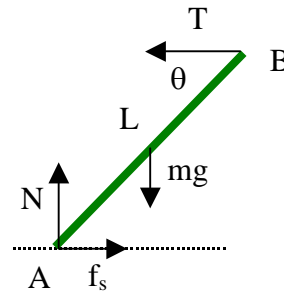
Torque Exercises

Write $\Sigma\tau = 0$ equations for the following extended free-body diagrams at the various points indicated.

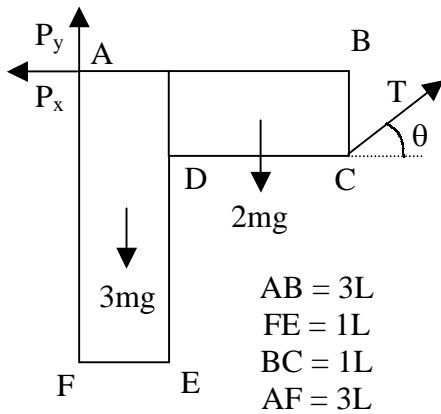
(a)



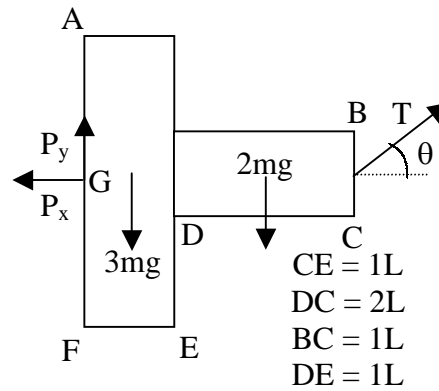
(b)



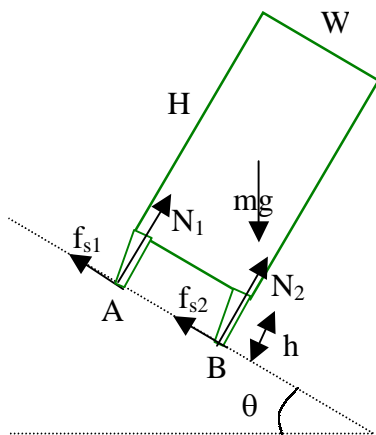
(c)



(d)



(e)



(f)

